

## STRUCTURE CONFIGURATION FORM

Company Name \_\_\_\_\_  
 Project Reference \_\_\_\_\_

### 1.4 BUILDING TYPE

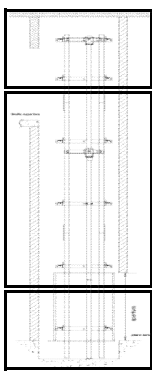
- ordinary building     hospital     school  
 barrack     city hall     theatre

### 1.5 PAINTING COATING




- RAL painting     Hot dip galvanization + RAL

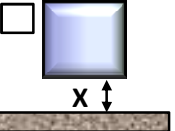
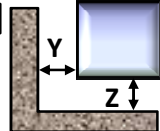
### 1 STRUCTURE LOCATION

- Indoor     Outdoor     High moisture environment

|                                    |   |                 |
|------------------------------------|---|-----------------|
| Load<br>Kg.                        |  | Headroom<br>mm. |
| Stops<br>N°                        |   | Travel<br>mm.   |
| total doors<br>N°                  |   | Pit<br>mm.      |
| Max floor to floor distance<br>mm. |   |                 |

Indicate how the structure is positioned related to the building.

X mm.  
 Y mm.  
 Z mm.

### 1.1 STRUCTURE DIMENSION

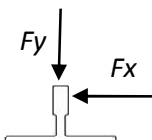
L mm. x P mm.

- Lift dimension  
 available space (lift shaft)

### 1.2 LIFT TYPE

- HYDRAULIC     ELECTRIC     HOMELIFT  
   
  Central     Hydraulic  
   
  Lateral     Electric

### 1.3 LOADS ON THE GUIDES



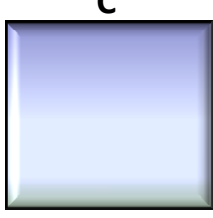
Fx \_\_\_\_\_ N  
 Fy \_\_\_\_\_ N

note:

### 2 CLADDINGS






- INCLUDED     NOT INCLUDED

ACCESS SIDE  A     B     C     D  
 MECHANICS SIDE  A     B     C     D



|   | glass                    | steel                    | no                       |
|---|--------------------------|--------------------------|--------------------------|
| A | <input type="checkbox"/> | <input type="checkbox"/> | <input type="checkbox"/> |
| B | <input type="checkbox"/> | <input type="checkbox"/> | <input type="checkbox"/> |
| C | <input type="checkbox"/> | <input type="checkbox"/> | <input type="checkbox"/> |
| D | <input type="checkbox"/> | <input type="checkbox"/> | <input type="checkbox"/> |


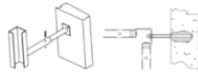
### 3 DOOR FRAMEWORKS



|  |  |   |  |  |
|--|--|---|--|--|
|  |  |  |  |  |
| <input type="checkbox"/>   | <input type="checkbox"/>   | <input type="checkbox"/>  | <input type="checkbox"/>   | <input type="checkbox"/>   |
| Steel plate framework for doors with frames.                                       | Glass framework for doors with frames.   | Steel plate framework for semi-automatic doors with frames.                         | Steel plate framework for doors without frames.                                      | Glass framework for doors without frames.  |


### 4 ROOF

- steel plate     stainless steel     pyramidal  
 glass     special

### 5 ACCESSORIES

 Handrail      Fix

 Lifting beam      Foot bridge

 Canopy     Structure only  
 Floor included  
 With handrails